

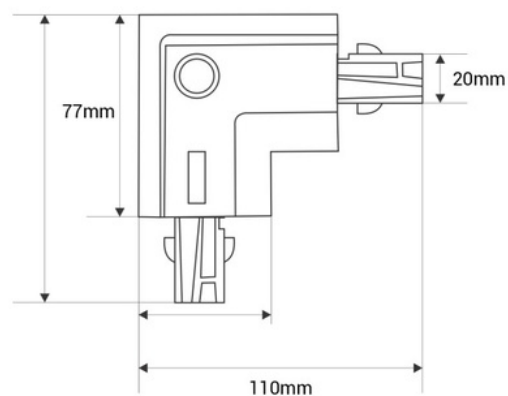
Rigid L-joint for recessed three-phase rail - 90° - RIGHT

Union RIGHT at 90° for recessed three-phase rails, perfect for making precise turns in installations. Available in black and white.



Product data

Case color	White (use), Black (use)
Certs	CE, ROHS
Guarantee	10 years
Material	Aluminum, Polycarbonate
Assembly	Recessed
Track Type	Three-phase



Product variants

Reference

Attributes

BTTE-GB03-D-B

Case color : White (use)



BTTE-GB03-D-N

Case color : Black (use)

