



Safety and EMC	
EMC standard (EMC)	ETSI EN 301 489-1 V2.2.3 ETSI EN 301 489-17 V3.2.4
Safety standard	EN 61348-1:2015+A1:2021 EN 61348-2-13:2014+A1:2017
Radio Equipment(REL)	ETSI EN 300 328 V2.2.2
Certification	CE, EMC, RED



CCT Controller - 12-36V DC - 2 channels - 15A/channel - RF 2.4GHz - PUSH dimmer - Skydance

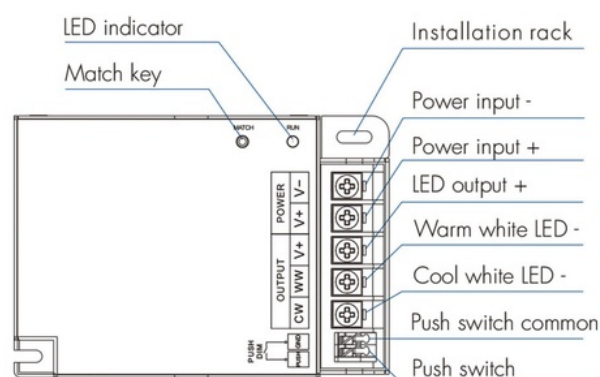
Ref. SK-V2-X

2-channel CCT controller for 12-36V LED luminaires. Offers a smooth dimming from 0 to 100% without flickering and is compatible with CCT or single-color RF 2.4GHz Skydance remote controls. With auto-transmission and auto-synchronization functions that enable efficient and synchronized control. It is adjustable by PUSH.



Product data

High	24.5mm
Width	75mm
Certs	CE, ROHS
Connectivity	RF
Control distance	15m
Guarantee	5 years
Maximum intensity (A)	15A/CH
IP	IP20
Long	107mm
Number of channels	2
Power (W)	2x(180-540)W
Temperature range	-30°F ~ +55°F
Nominal Voltage (V)	12-36V DC
Outdoor Use	No



Product variants

Reference

Attributes

SK-V2-X

