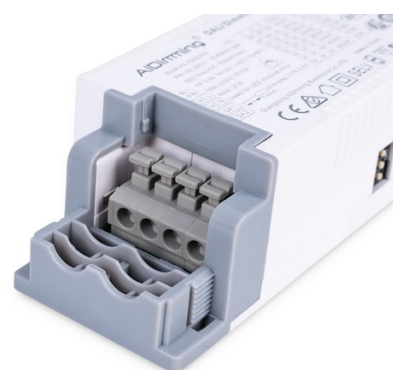




DALI + 1/0-10V + PUSH dimmable driver - 9-42V DC - Multi current (150-350mA)

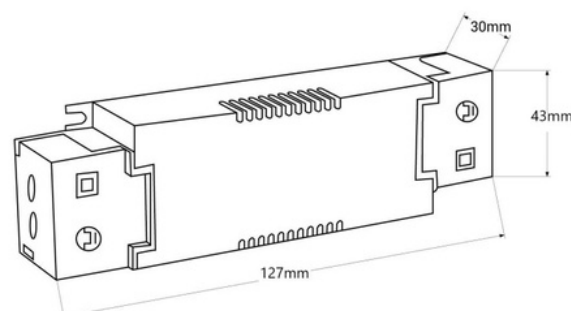
Ref. PE-N14DA42

Monochrome constant current driver that allows regulation DALI, 1/0-10V, and PUSH. It accepts an input voltage of 9-42V and supports a maximum of 350mA. Adjustable multicurrent via DIP Switch. 150/180/200/250/280/300/320/350 mA



Product data

Certs	CE, ROHS
Dimensions (mm) LxWxH	127 x 43 x 30
Power factor (cosφ)	0.93
Frequency (Hz)	50 - 60
Guarantee	According to legal warranty: 3 years
Maximum intensity (A)	0.35
IP	IP20
Material	Plastic
Temperature range	-20°F ~ +45°F
Control system	DALI, PUSH, 0-10V / 1-10V
Output Voltage (V)	9 - 42
Nominal Voltage (V)	100 - 250
Outdoor Use	No



Product variants

Reference

Attributes



PE-N14DA42